

THE PERFECT COMBO FOR OPTIMAL HYGIENE

TEMPOMATIC 4 deck-mounted electronic taps/mixers and soap dispenser



Harmonious set with a sleek design



Total hygiene: no manual contact



Refs.: 49000615, 512031PUK

Public washrooms are moving upmarket and have become the showcase of hygiene and design for an entire establishment. To meet this new need, DELABIE, expert in sanitary equipment for public places, offers a harmonious combination of TEMPOMATIC 4 deck-mounted taps/mixers and electronic soap dispensers.

Common design

The sleek lines and chrome finish give this duo a modern, universal design that is ideal for styling the most upscale public washrooms.

Total hygiene

This 100% touch-free duo ensures total hygiene. Unlike conventional taps/mixers and soap dispensers, there is no risk of germs being passed on by hands. They switch on and off automatically without any manual contact. TEMPOMATIC 4 also features an intelligent anti-bacterial periodic duty flush that is triggered every 24 hours after the last use, and an anti-stagnation solenoid valve, which renews the water every time it is used, preventing any stagnation of water. Both the user and the system are, therefore, protected.

Water saving

TEMPOMATIC 4 tap/mixer saves up to 90% of water compared to a conventional tap, while the matching soap dispenser is the solution that reduces waste and improves efficiency thanks to its non-drip no-waste pump dispenser that delivers the right amount of soap for an effective hand wash.

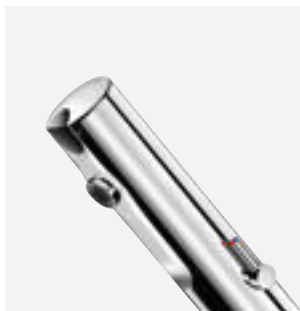
Easy to install, maintain and service

TEMPOMATIC 4 is quick and easy to install: it does not require any additional work and can replace a traditional tap/mixer in a few minutes and without any electrical connection for the battery-operated versions. Maintenance is carried out without removing the tap/mixer as all components are accessible from the front and without turning off the water. Maintenance staff can easily fill the tanks using the TEMPOMATIC 4 deck-mounted electronic soap dispenser's removable tank, which features an intuitive and innovative clip-on system. It is also compatible with liquid and foam soaps. The tank versions can even be filled with hydroalcoholic gel!

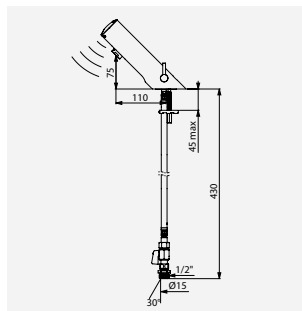
PRODUCT BRIEF / THE PERFECT COMBO FOR OPTIMAL HYGIENE

The TEMPOMATIC 4 deck-mounted tap, mixer and soap dispenser combination is a simple, stylish, hygienic and economical solution for public washrooms. On one hand, the TEMPOMATIC 4 tap/mixer provides 90% water savings and can be installed in minutes. On the other hand, the TEMPOMATIC 4 soap dispenser delivers the quantity of soap needed for effective hand washing and works with liquid and foam soaps as well as with hydroalcoholic gel for the tank versions. Guaranteed for 10 years.

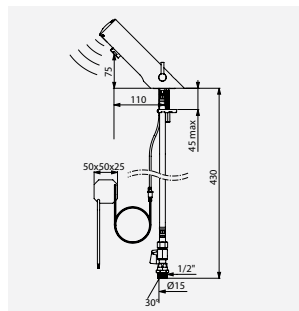
Images available on our website delabie.co.uk, in the PRESS section



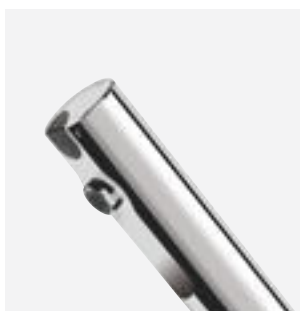
TEMPOMATIC MIX 4 electronic mixer, battery-operated
Ref. DELABIE: 49000615



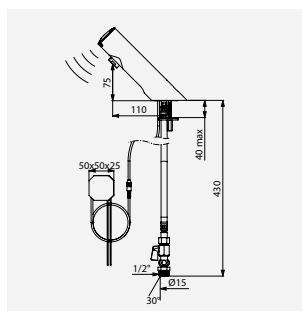
TEMPOMATIC MIX 4 electronic mixer, battery-operated
Ref. DELABIE: 49000615



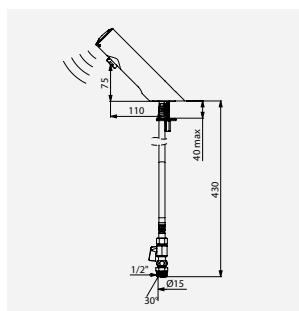
TEMPOMATIC MIX 4 electronic mixer, mains supply
Ref. DELABIE: 49000015



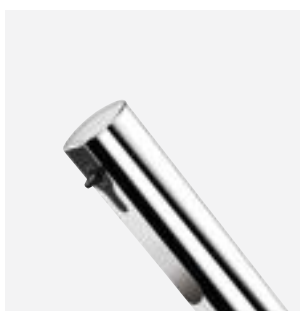
TEMPOMATIC 4 electronic tap, mains supply
Ref. DELABIE: 44000015



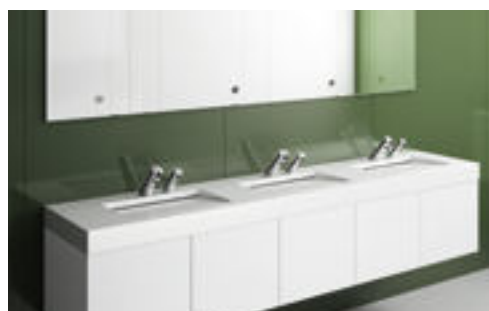
TEMPOMATIC 4 electronic tap, mains supply
Ref. DELABIE: 44000015



TEMPOMATIC 4 electronic tap, battery-operated
Ref. DELABIE: 44000615



TEMPOMATIC 4 electronic soap dispenser with a 1 litre tank, mains supply
Ref. DELABIE: 512031PUK



Installation example: TEMPOMATIC 4 deck-mounted electronic taps/mixers and soap dispensers

DELABIE, manufacturer's expertise

DELABIE, a 100% family-owned French company, founded in 1928, is the European market leader in water controls and sanitary equipment for public and commercial places. The company offers five product ranges specifically for this market: Commercial water controls, Hospital water controls, Accessibility and Hygienic accessories, Stainless steel sanitary ware and Specialist water controls.

Over 2,000 DELABIE manufactured items, including international references, are exported from its factory in France to more than 90 countries.

The company has 9 subsidiaries worldwide: Germany, Austria, Benelux, United Kingdom, Spain, Portugal, Poland, United Arab Emirates (Dubai) and China (Hong-Kong).

Find DELABIE on these social networks



CONTACTS

PR
Carole ARMSTRONG
Tel. (01491) 821820
carole.armstrong@delabie.co.uk

ADVERTISING
Ulysses IVERSON
Tel. +33 (0)3 64 50 91 10
ulysses.iverson@delabie.co.uk